



Parts Manual

Mfg. No: 030236-0
3,450 Watt CSA

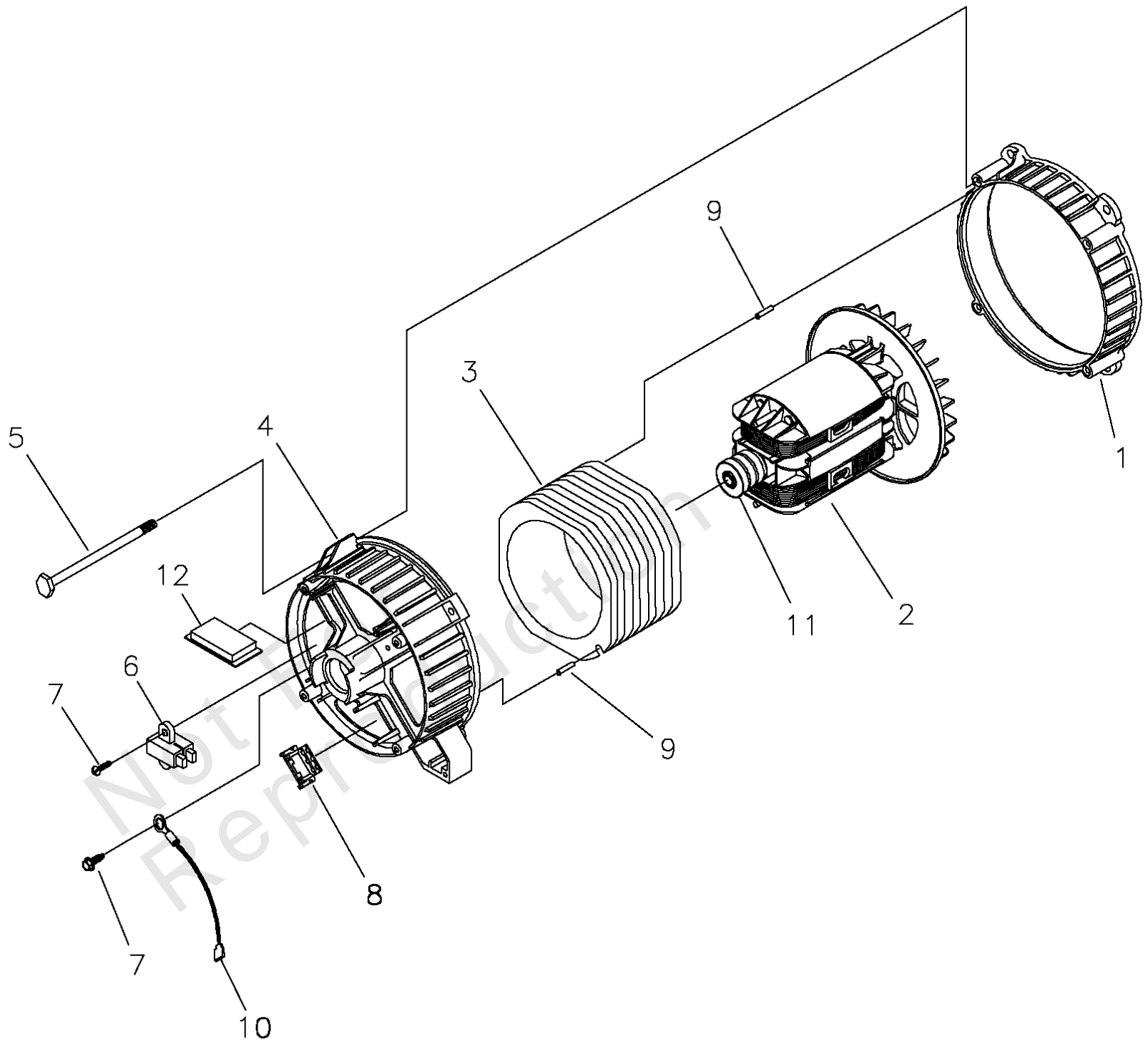
Model Components	Page
Alternator (198252).....	4
Control Panel (198253).....	6
Main Unit (200204).....	8
Wheel Kit (198254).....	12
Wiring Diagram (198241).....	14
Wiring Schematic (198241).....	16
Torque Specification Chart.....	18

Not For
Reproduction

Alternator (198252)

Note: Unless noted otherwise, use the standard torque specifications

Mfg. No: 030236-0



Alternator (198252)

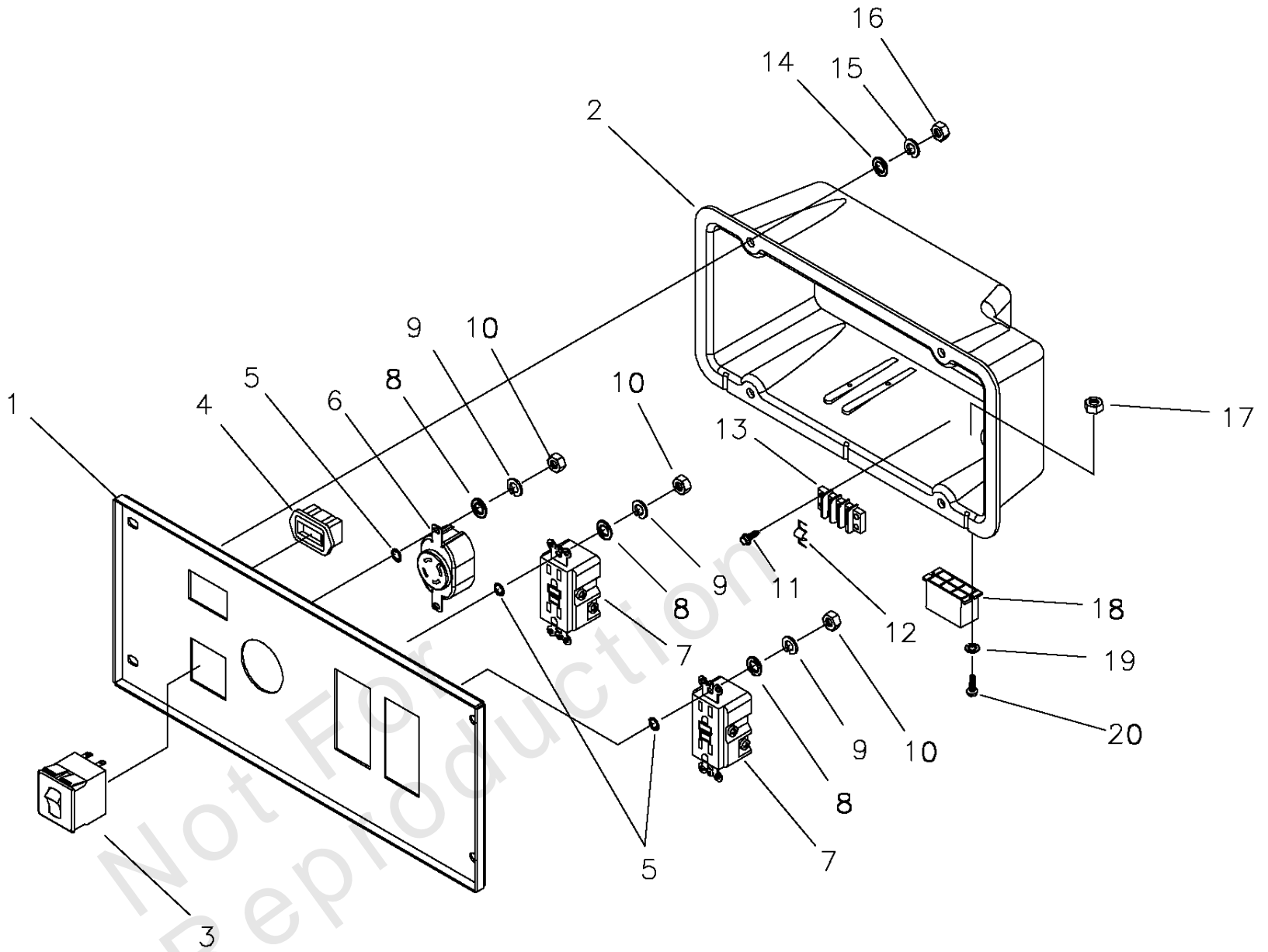
REF NO	PART NO	QTY	DESCRIPTION
1	186059GS		ADAPTER, Mounting, Alternator
2	198501GS		ASSY, Rotor -(Includes Item 11)
3	198500AGS		STATOR
4	193336GS		RBC, (with O-Ring p/n 189197GS)
5	86308GS		HHCS, M6 - 1.0 x 115 SEMS
6	66386GS		ASSY, Holder, Brush
7	66849GS		TAPTITE, M5 - 0.8 x 16
8	22694GS		RECEPTACLE, 6 pin
9	81917GS		PIN, Roll, 4mm x 10
10	193428AGS		ASSY,Wire, Ground
11	65791GS		BEARING
12	189769GS		BOARD, Circuit, System Control, Micro
	189197GS		O-Ring

Not For
Reproduction

Control Panel (198253)

Note: Unless noted otherwise, use the standard torque specifications

Mfg. No: 030236-0



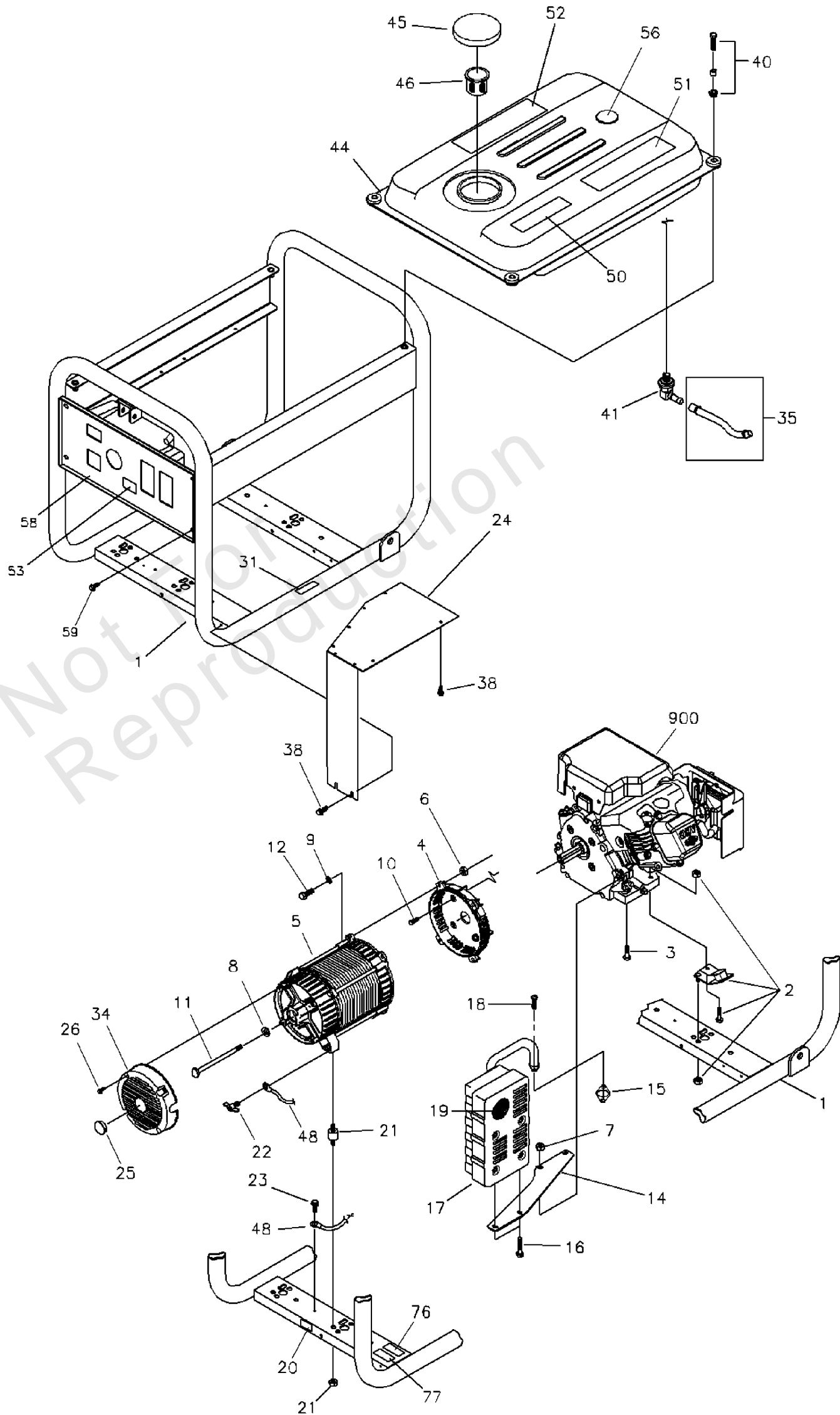
Control Panel (198253)

REF NO	PART NO	QTY	DESCRIPTION
1	198234GS		PANEL, Control
2	198236GS		BOX, Control Panel
3	191479CGS		BREAKER, Circuit, 15A
4	198245GS		METER, Hour
5	-		WASHER, Shakeproof, Int. #8 -(Purchase locally)
6	68867GS		OUTLET, 120/240V, 20A
7	94373GS		OUTLET, 120V, 15A Duplex
8	-		WASHER, Flat, M4 -(Purchase locally)
9	-		WASHER, Lock, M4 -(Purchase locally)
10	-		NUT, M4 - 0.7 -(Purchase locally)
11	198495GS		SCREW, 4 x 18, Tapping
12	193095GS		JUMPER, Terminal Block
13	193427GS		STRIP, Terminal, 3 Pole
14	-		WASHER, Flat, M5 -(Purchase locally)
15	-		WASHER, Lock, M5 -(Purchase locally)
16	-		NUT, M5 - 0.8 -(Purchase locally)
17	-		NUT, M3 - 0.5 -(Purchase locally)
18	22694GS		HOUSING, Plug
19	-		WASHER, Lock, M3 -(Purchase locally)
20	-		PPHMS, M3 x 18.0 -(Purchase locally)

Main Unit (200204)

Note: Unless noted otherwise, use the standard torque specifications

Mfg. No: 030236-0



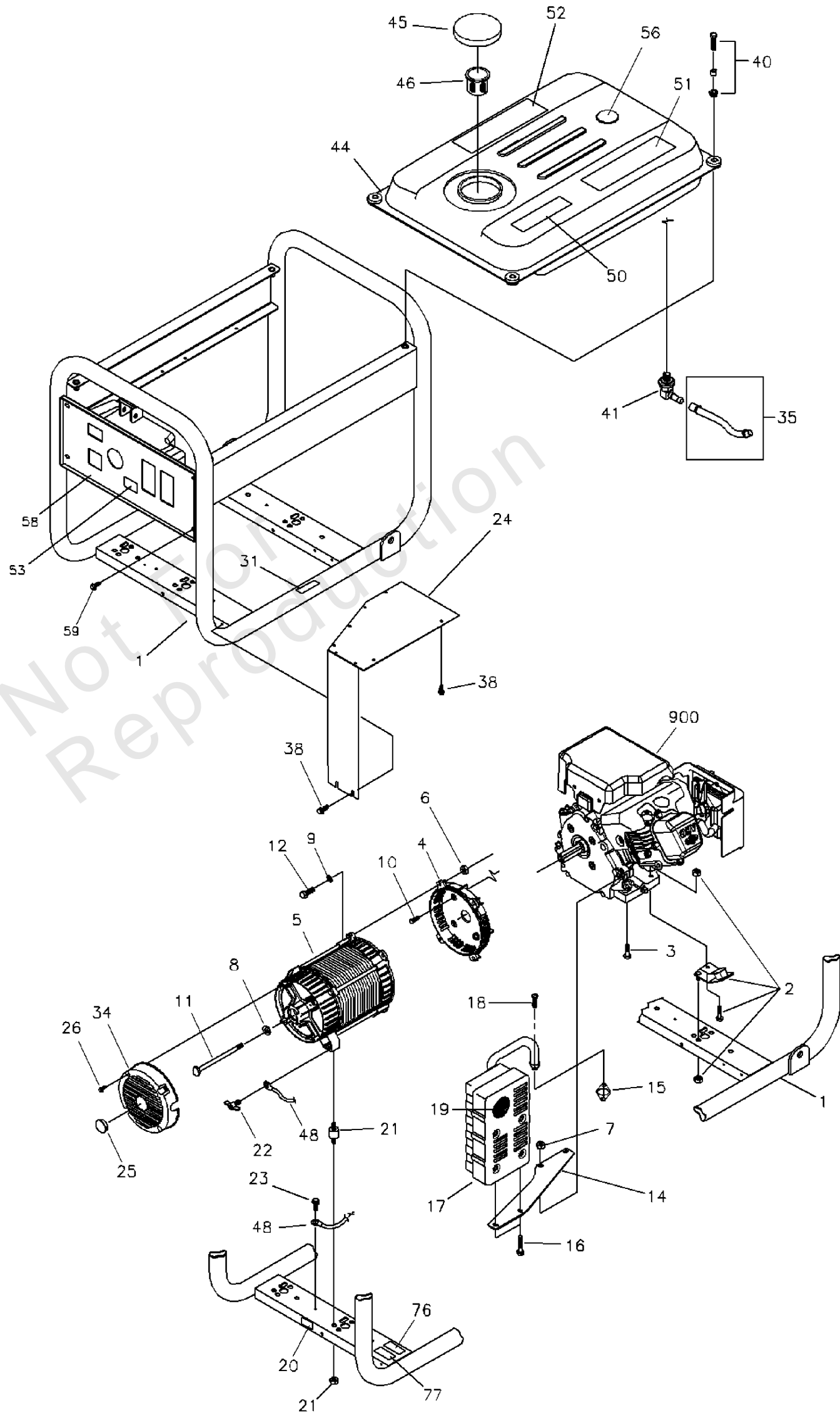
Main Unit (200204)

REF NO	PART NO	QTY	DESCRIPTION
1	B198124GS		KIT, Cradle
2	194150GS		KIT, Vibration Mount
3	195398GS		TPHMS, M8 - 1.25 x 35
4	186058AGS		ADAPTER, Engine
5	~NSP		ASSY, Alternator -(see "Alternator")
6	-		NUT, Hex M8 - 1.25 -(Purchase locally)
7	67989GS		NUT, M8 Flange Serrated
8	96796GS		WASHER
9	-		WASHER, Lock 5/16 - M8 -(Purchase locally)
10	-		HHCS, 5/16 -24 x 3/4, Sems -(Purchase locally)
11	24823GS		HHCS, 5/16 - 24 x 7-7/8"
12	-		HHCS, M8 1.25 x 25 -(Purchase locally)
14	191785GS		BRACKET, Muffler
15	697815		GASKET, Exhaust
16	-		HHCS, M6 - 1.0 x 12 w/ LW -(Purchase locally)
17	188301GS		MUFFLER
18	40945GS		SHCS, M6 - 1.0 x 20
19	83083GS		SCREEN, Spark Arrest
20	B4986GS		DECAL, Ground
21	194153GS		KIT,Vibration Mount
22	86494GS		SCREW,Wing M6 - 1.0 x 16
23	86292GS		SCREW, 10 - 16 x 3/4, Self Drill
24	198218GS		ASSY,Heat Shield
25	191190GS		CAP
26	74908GS		TAPTITE,M5 - 0.8 x 10
31	200310GS		DECAL,Warning Exhaust
34	195422GS		COVER, RBC Plastic with Cap
35	791745		KIT, Fuel Line, (cut to fit)
38	56893GS		CRIMPTITE,10-24 x 1/2
40	197618GS		KIT,Fuel Tank Hardware
41	195590GS		FITTING, Elbow Tank
44	200539GS		ASSY,Tank Fuel -(Includes Items 41,50, 51 & 52)
45	189135GS		CAP,Tank Fuel
46	197499GS		STRAINER,Tank Fuel
48	195373GS		WIRE, Ground
50	188333GS		DECAL, Instruction Fuel Level
51	194984GS		DECAL,Warning
52	94480GS		DECAL, Start Instructions
53	200311GS		DECAL, Neutral Bonded
56	189136GS		GAUGE, Fuel
58	198235GS		ASSY, Control Panel -(see "Control Panel")
59	198611GS		PPHS, 1/4 - 20 x 0.5
76	195940GS		DECAL, Neutral Grnd, Frnch
77	195459GS		DECAL, Grnd, Neutral
900	-		ENGINE -Contact Engine Manufacturer

Main Unit (200204)

Note: Unless noted otherwise, use the standard torque specifications

Mfg. No: 030236-0



Main Unit (200204)

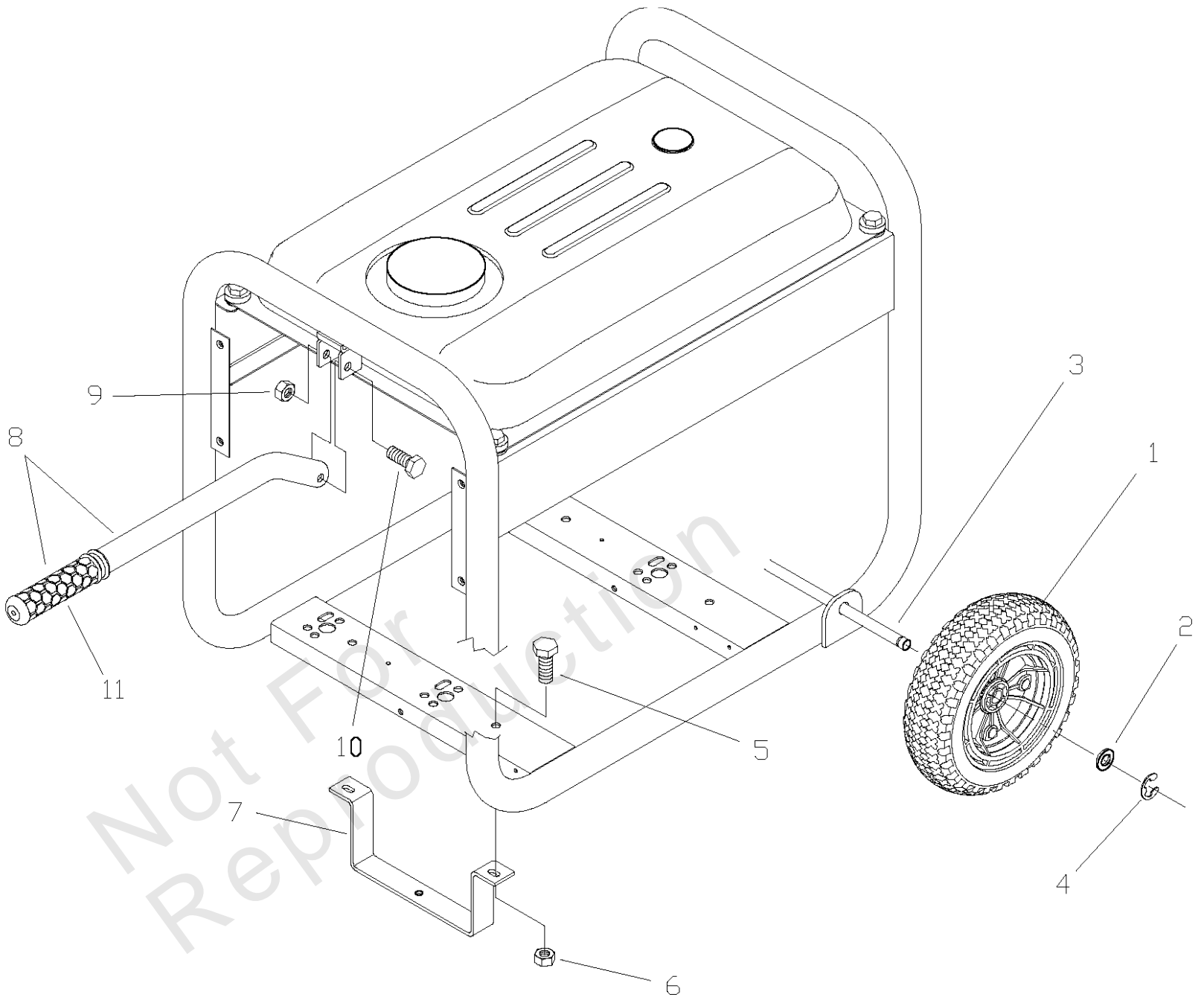
REF NO	PART NO	QTY	DESCRIPTION
	200203GS		MANUAL, Operator's -Not Illustrated
	BB3061BGS		BOTTLE, Oil -Not Illustrated
	198536GS		HARNESS, Wire -Not Illustrated
	199383GS		DECAL, Family, CA, EVP -Not Illustrated
	100031		STABILIZER, Fuel -Not Illustrated
	189714GS		SET, Cord -Not Illustrated
	198674GS		KIT, Decals Srv -Not Illustrated

Not For
Reproduction

Wheel Kit (198254)

Note: Unless noted otherwise, use the standard torque specifications

Mfg. No: 030236-0



Wheel Kit (198254)

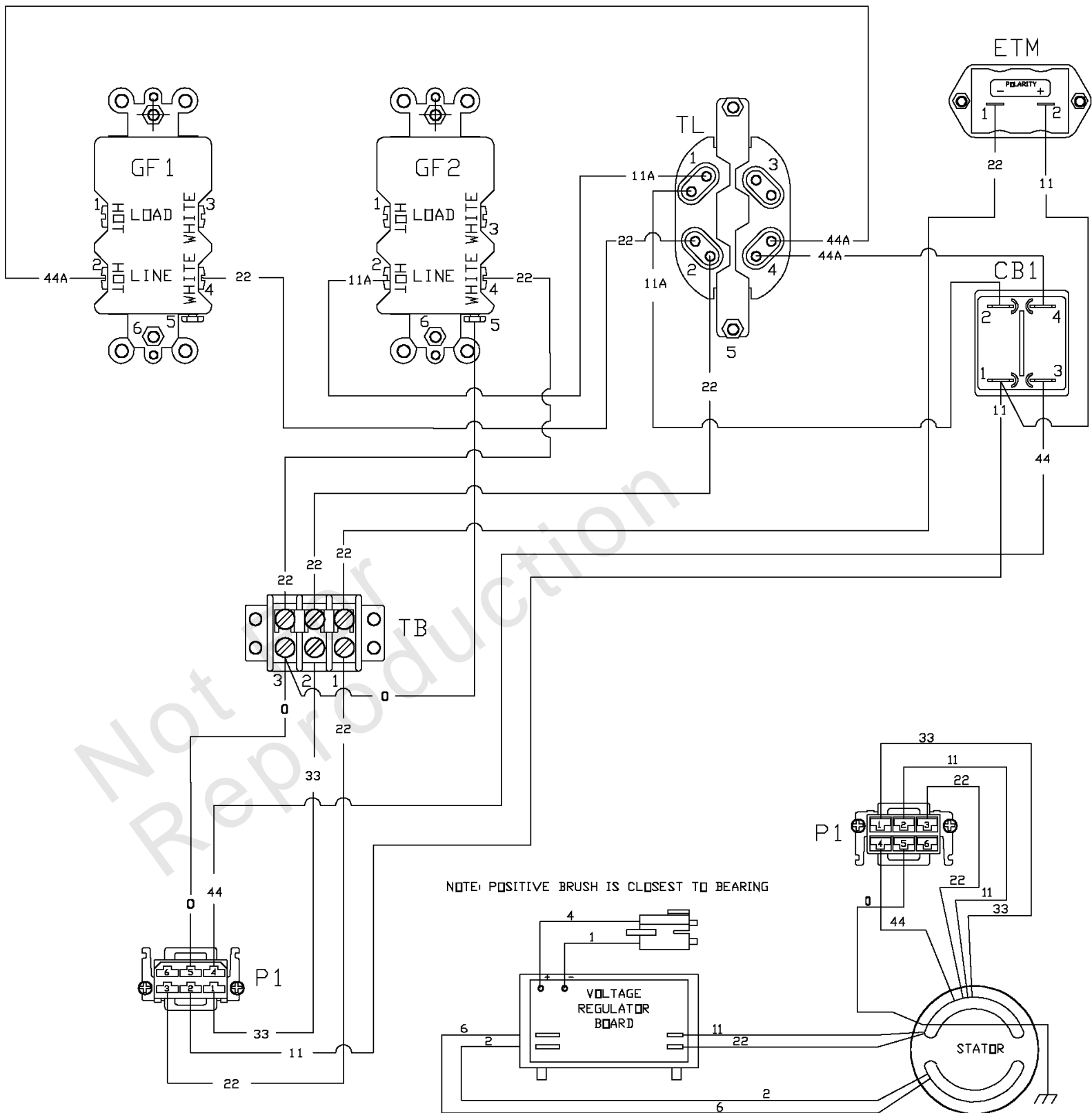
REF NO	PART NO	QTY	DESCRIPTION
1	197577GS		WHEEL
2	-		WASHER, 1/2" -(Purchase locally)
3	198248GS		AXLE
4	192050GS		E-RING
5	-		HHCS, M8 1.25 x 20 -(Purchase locally)
6	67989GS		NUT, M8, Flange Serrated
7	198441GS		SUPPORT, Wheel Kit
8	B198440GS		ASSY, Handle -(Includes Item 11)
9	49820GS		NUT, M8 1.25 Nylok
10	-		HHCS, M8 - 1.25 x 45 -(Purchase locally)
11	189718GS		GRIP

Not For
Reproduction

Wiring Diagram (198241)

Note: Unless noted otherwise, use the standard torque specifications

Mfg. No: 030236-0



Wiring Diagram (198241)

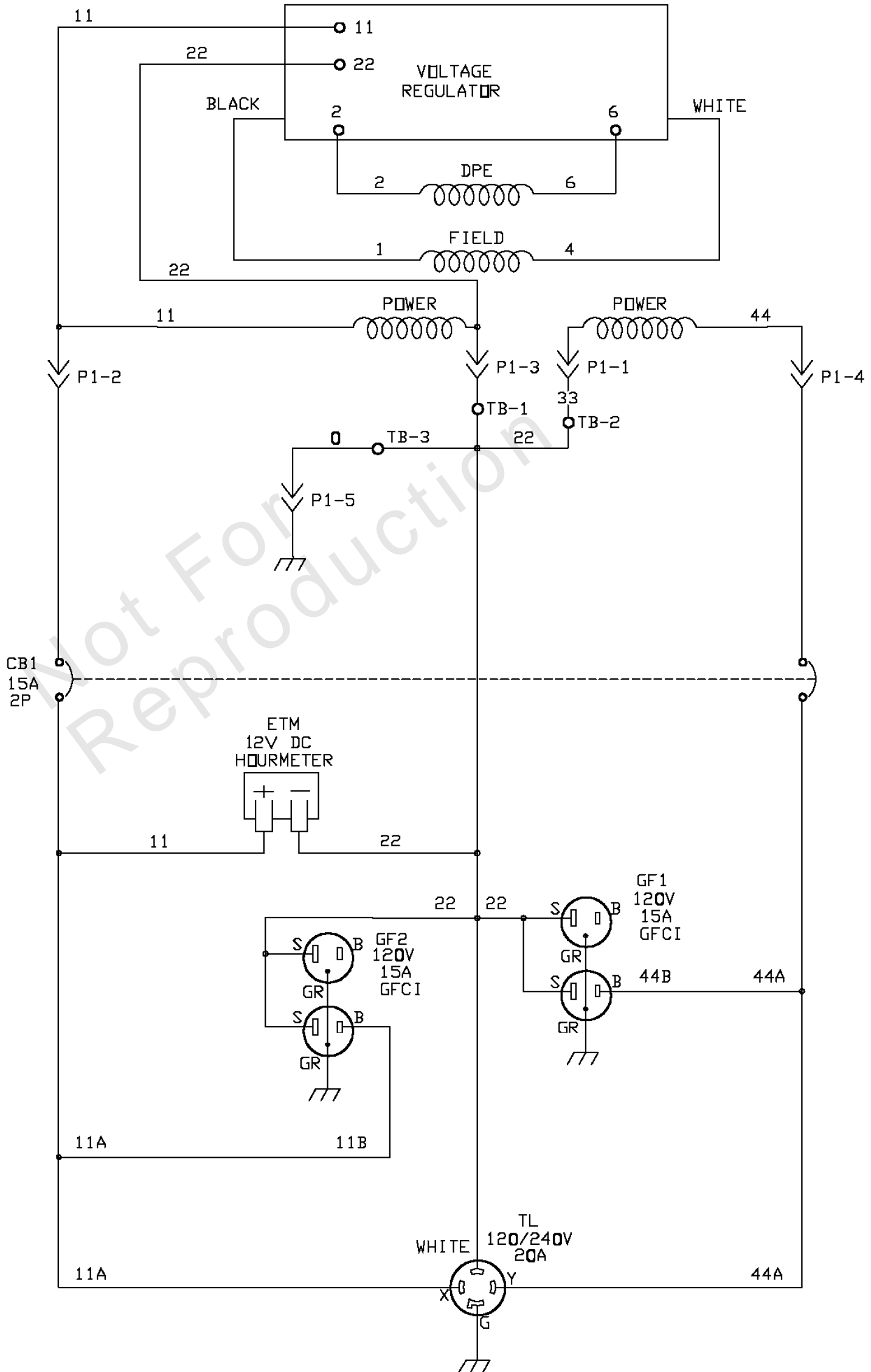
REF NO	PART NO	QTY	DESCRIPTION
--	-		Wiring Diagram only
--	WARNING		Warning Generator Voltage Could Cause Electrical Shock or Burn Resulting in Death Or Serious Injury. To Avoid Electrical Shock Or Burn Hazard, Please Refer Service To Qualified Personnel.

Not For
Reproduction

Wiring Schematic (198241)

Note: Unless noted otherwise, use the standard torque specifications

Mfg. No: 030236-0



Wiring Schematic (198241)

REF NO	PART NO	QTY	DESCRIPTION
--	-		Wiring Schematic Only
--	WARNING		Warning Generator Voltage Could Cause Electrical Shock or Burn Resulting in Death Or Serious Injury. To Avoid Electrical Shock Or Burn Hazard, Please Refer Service To Qualified Personnel.

Not For
Reproduction

Hardware Identification & Torque Specifications

Torque Specification Chart								
FOR STANDARD METRIC MACHINE HARDWARE (Tolerance ± 20%)								
Property Class	5.6		8.8		10.9		12.9	
	Class 5.6		Class 8.8		Class 10.9		Class 12.9	
Size Of Hardware	in/lbs	Nm.	in/lbs	Nm.	in/lbs	Nm.	in/lbs	Nm.
	ft/lbs		ft/lbs		ft/lbs		ft/lbs	
M3	5.88	.56	13.44	1.28	19.2	1.80	22.92	2.15
M4	13.44	1.28	30.72	2.90	43.44	4.10	52.56	4.95
M5	26.4	2.50	60.96	5.75	5.97	8.10	7.15	9.7
M6	44.64	4.3	7.3	9.9	10.3	14	12.1	16.5
M7	5.2	7.1	12.1	16.5	16.9	23	19.9	27
M8	7.7	10.5	17.7	24	25	34	29	40
M10	15	21	35	48	50	67	59	81
M12	26	36	61	83	86.2	117	103	140
M14	42	58	101	132	136	185	162	220
M16	64	88	147	200	210	285	250	340
M18	89	121	202	275	287	390	346	470
M20	126	171	290	390	405	550	486	660
M22	169	230	390	530	559	745	656	890
M24	217	295	497	375	708	960	840	1140
M27	320	435	733	995	1032	1400	1239	1680
M30	435	590	995	1350	1401	1900	1681	2280
M33	590	800	1349	1830	1902	2580	2278	3090
M36	759	1030	1740	2360	2441	3310	2935	3980
M39	988	1340	2249	3050	3163	4290	3798	5150

Torque Specification Chart						
FOR STANDARD MACHINE HARDWARE (Tolerance ± 20%)						
Hardware Grade	No Marks		SAE Grade 5		SAE Grade 8	
	SAE Grade 2		SAE Grade 5		SAE Grade 8	
Size Of Hardware	in/lbs	Nm.	in/lbs	Nm.	in/lbs	Nm.
	ft/lbs		ft/lbs		ft/lbs	
8-32	19	2.1	30	3.4	41	4.6
8-36	20	2.3	31	3.5	43	4.9
10-24	27	3.1	43	4.9	60	6.8
10-32	31	3.5	49	5.5	68	7.7
1/4-20	66	7.6	8	10.9	12	16.3
1/4-28	76	8.6	10	13.6	14	19.0
5/16-18	11	15.0	17	23.1	25	34.0
5/16-24	12	16.3	19	25.8	29	34.0
3/8-16	20	27.2	30	40.8	45	61.2
3/8-24	23	31.3	35	47.6	50	68.0
7/16-14	30	40.8	50	68.0	70	95.2
7/16-20	35	47.6	55	74.8	80	108.8
1/2-13	50	68.0	75	102.0	110	149.6
1/2-20	55	74.8	90	122.4	120	163.2
9/16-12	65	88.4	110	149.6	150	204.0
9/16-18	75	102.0	120	163.2	170	231.2
5/8-11	90	122.4	150	204.0	220	299.2
5/8-18	100	136	180	244.8	240	326.4
3/4-10	160	217.6	260	353.6	386	525.0
3/4-16	180	244.8	300	408.0	420	571.2
7/8-9	140	190.4	400	544.0	600	816.0
7/8-14	155	210.8	440	598.4	660	897.6
1-8	220	299.2	580	788.8	900	1,244.0
1-12	240	326.4	640	870.4	1,000	1,360.0

The guides and ruler furnished below are designed to help you select the appropriate hardware.

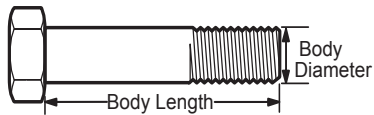


Nut, M8

Thread Diameter (mm)

Inside Diameter (in) Threads per inch

Nut, 1/2-16

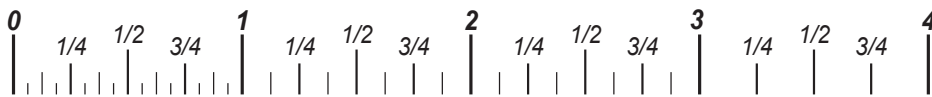


Screw, M8- 1.25 x 25

Thread Diameter (mm) Distance between threads (mm) Body Length (mm)

Body Diameter Threads per inch Body Length (in)

Screw, 1/2- 16 x 2



Standard Hardware Sizing

When a washer or nut is identified as 1/2" (M8), this is the *Nominal size*, meaning the *inside diameter* is 1/2 inch (8mm metric thread diameter); if a second number is present it represents the *threads per inch* (distance between threads).

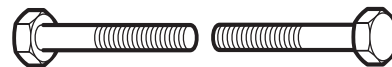
When bolt or capscrew is identified as 1/2 - 16 x 2" (M8 - 1.25 x 50), this means the *Nominal size*, or body diameter is 1/2 inch (8mm metric thread diameter), the second number, 16, represents the *threads per inch*, (*distance between threads*). The final number is the body length of the bolt or screw, 2 inches (50mm).

NOTES

- These torque values are to be used for all hardware excluding: locknuts, self-tapping screws, thread forming screws, sheet metal screws and socket head setscrews.
- Recommended seating torque values for locknuts:
 - for prevailing torque locknuts - use 65% of grade 5 torques.
 - for flange whizlock nuts and screws - use 135% of grade 5 torques.
- Unless otherwise noted on assembly drawings, all torque values must meet this specification.

Common Hardware Types

Hex Head Capscrew



Washer



Carriage Bolt



Hex Nut

Wrench & Fastener Size Guide

1/4" Bolt or Nut Wrench—7/16"	5/16" Bolt or Nut Wrench—1/2"	3/8" Bolt or Nut Wrench—9/16"	7/16" Bolt or Nut Wrench (Bolt)—5/8" Wrench (Nut)—11/16"	1/2" Bolt or Nut Wrench—3/4"
M6 Bolt or Nut Wrench—10mm	M8 Bolt or Nut Wrench—13mm	M10 Bolt or Nut Wrench—17mm	M12 Bolt or Nut Wrench—19mm	M14 Bolt or Nut Wrench—22mm

